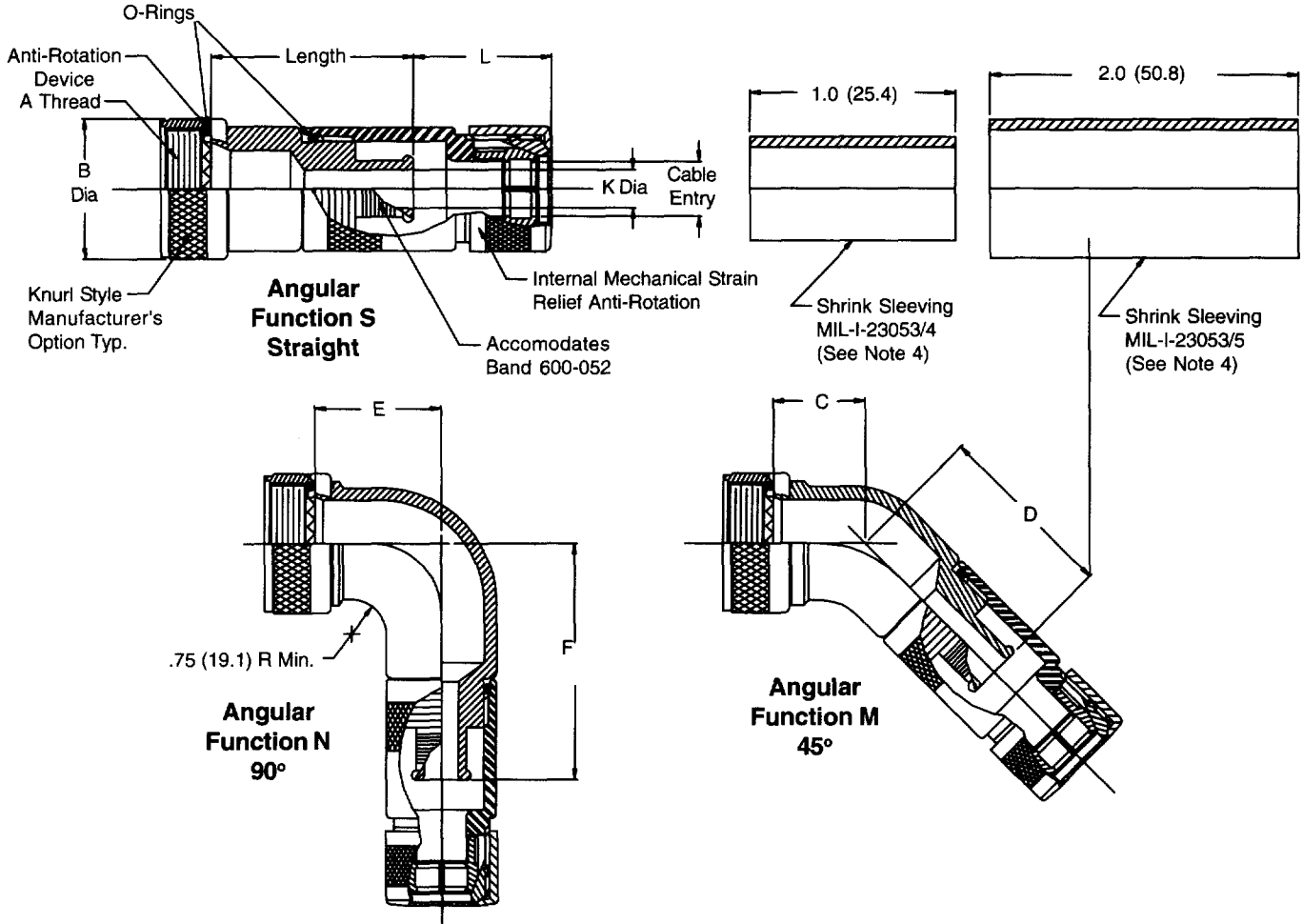
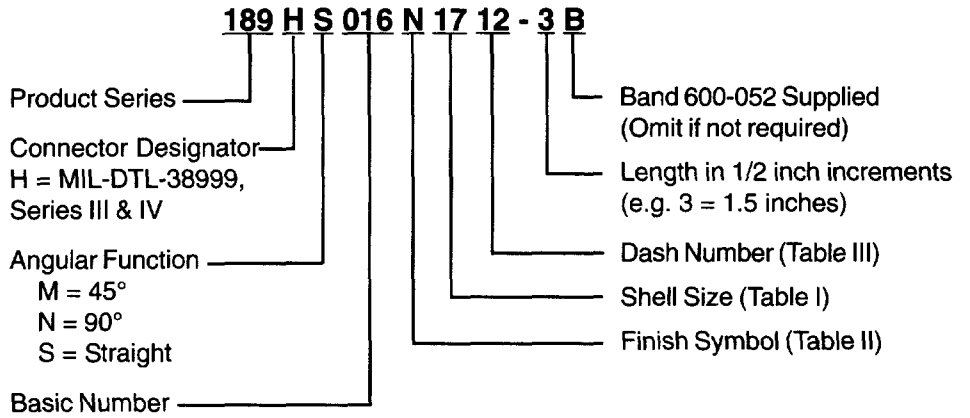


Environmental Fiber Optic Banding Adapter for MIL-DTL-38999 Series III and IV Connectors 189-016



See Section I for the Band-It® Shield Termination Tooling used with this banding adapter



**Environmental Banding Adapter for
MIL-DTL-38999 Series III
189-016**



Fiber Optic
Backshells

TABLE I: SHELL SIZE

Shell Size	A Thread ISO Metric	B Max	C Max	D Max	E Max	F Max	Max Dash No. (Table III)
11	M15 x 1 - 6H	.89 (22.6)	.861 (21.9)	1.111 (28.2)	1.563 (39.7)	1.875 (47.6)	05
13	M18 x 1 - 6H	1.02 (25.9)	.911 (23.1)	1.161 (29.5)	1.938 (49.2)	2.250 (57.2)	05
15	M22 x 1 - 6H	1.15 (29.2)	.965 (24.5)	1.215 (30.9)	1.938 (49.2)	2.250 (57.2)	07
17	M25 x 1 - 6H	1.23 (31.2)	1.014 (25.8)	1.264 (32.1)	2.063 (52.4)	2.375 (60.3)	07
19	M28 x 1 - 6H	1.36 (34.5)	1.064 (27.0)	1.314 (33.4)	2.063 (52.4)	2.375 (60.3)	09
21	M31 x 1 - 6H	1.48 (37.6)	1.118 (28.4)	1.368 (34.7)	2.563 (65.1)	2.875 (73.0)	11
23	M34 x 1 - 6H	1.60 (40.6)	1.172 (29.8)	1.422 (36.1)	2.313 (58.8)	2.688 (68.3)	11
25	M37 x 1 - 6H	1.73 (43.9)	1.221 (31.0)	1.471 (37.4)	2.250 (57.2)	2.563 (65.1)	13

TABLE III: CABLE ENTRY AND SHRINK SLEEVE DASH NUMBER

Dash No.	Clamp Size	Cable Size Maximum	K Diameter .005 (0.1)	L Maximum	Dash No.	Dash No.	Cable Entry	
					MIL-I-23053/4 Shrink Sleeve	MIL-I-23053/5 Shrink Sleeve	Minimum	Maximum
05	12	.280 (7.1)	.312 (7.9)	1.110 (28.2)	-203-0	-107-0	.203 (5.2)	.375 (9.5)
07	16	.395 (10.0)	.438 (11.1)	1.210 (30.7)	-204-0	-108-0	.328 (8.3)	.500 (12.7)
09	20	.510 (13.0)	.562 (14.3)	1.210 (30.7)	-204-0	-109-0	.452 (11.5)	.625 (15.9)
11	24	.621 (15.8)	.688 (17.5)	1.210 (30.7)	-205-0	-106-0	.515 (13.1)	.750 (19.1)
13	28	.736 (18.7)	.812 (20.6)	1.360 (34.5)	-205-0	-110-0	.640 (16.3)	.875 (22.2)
15	32	.851 (21.6)	.938 (23.8)	1.510 (38.4)	-206-0	-110-0	.765 (19.4)	1.000 (25.4)
17	36	.966 (24.5)	1.062 (27.0)	1.510 (38.4)	-206-0	-111-0	.859 (21.8)	1.125 (28.6)
19	40	1.091 (27.7)	1.188 (30.2)	1.510 (38.4)	-206-0	-111-0	.984 (25.0)	1.250 (31.8)

NOTES:

- Metric dimensions (mm) are in parentheses and are for reference only.
- Standard minimum length: 1.5 inches. For shorter length, consult factory.
- Material/Finish:
Adapter, Coupling Nut - Aluminum Alloy/See Table II.
Clamp Components - Ryton RAXT-Black; Ultem 1000-Natural.
Anti-Rotation Device - Torlon 4203L-Natural.
- MIL-I-23053/4 & /5 Shrink Sleeving is packaged loose in a plastic bag. MIL-I-23053/4 Shrink Sleeving to be heat shrunk over rear of adapter before MIL-I-23053/5 Shrink Sleeving.
- See Section I for the Band-It® Shield Termination Tooling used with this Banding Adapter.

TABLE II: FINISH

Symbol	Finish Description
B	Cadmium Plate/Olive Drab
J	Gold Iridite over Cadmium Plate over Nickel
M	Electroless Nickel
N	Cadmium Plate/Olive Drab over Nickel
NF	Cadmium/Olive Drab over Electroless Nickel (500 Hour Salt Spray)
T	Cadmium Plate/Bright Dip over Nickel